



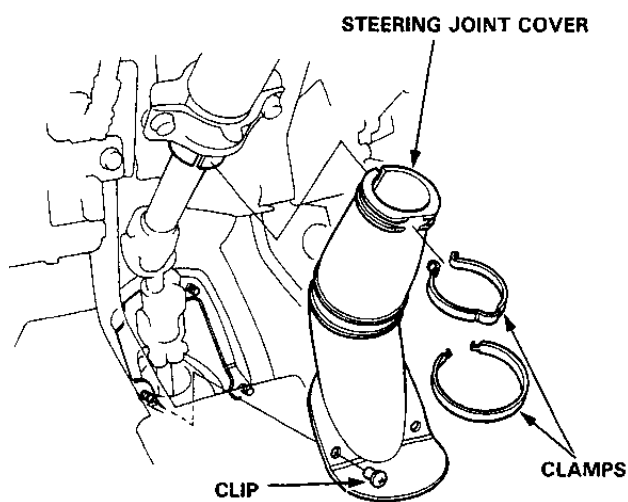
Steering Gearbox

Gearbox Removal

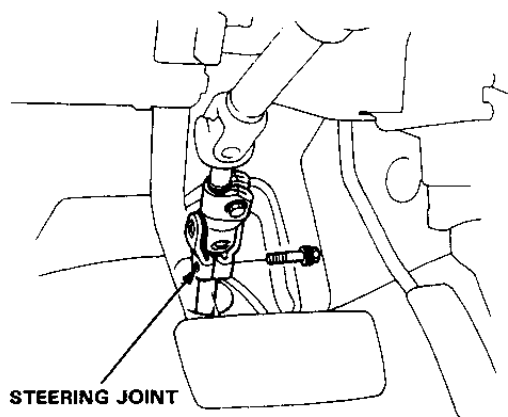
NOTE:

- Before removing the steering gearbox, align the front wheels straight ahead.
- Disconnect the battery negative terminal and then disconnect the positive terminal.

1. Raise the front of car and support on safety stands in the proper locations.
2. Remove the front wheels.
3. Remove the steering joint cover.

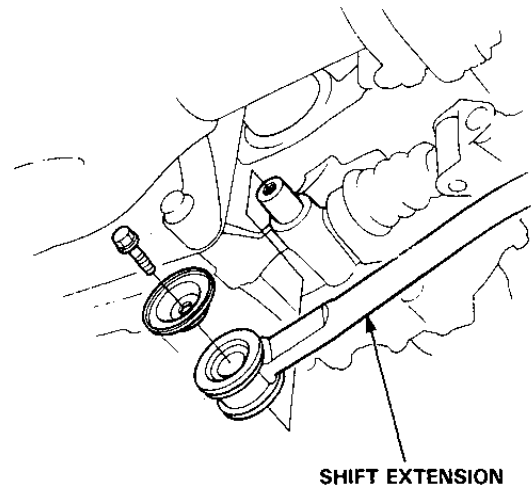


4. Remove the steering joint lower bolt, and move the joint toward the column.

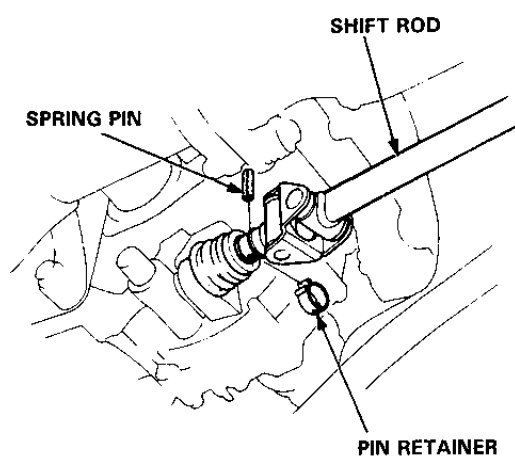


5. Manual transmission model only:

- Remove the shift extension from the transmission case.



- Slide the boot back at the connecting position of the gear shift rod.
- Drive out the spring pin with a punch, then disconnect the shift rod.



(cont'd)