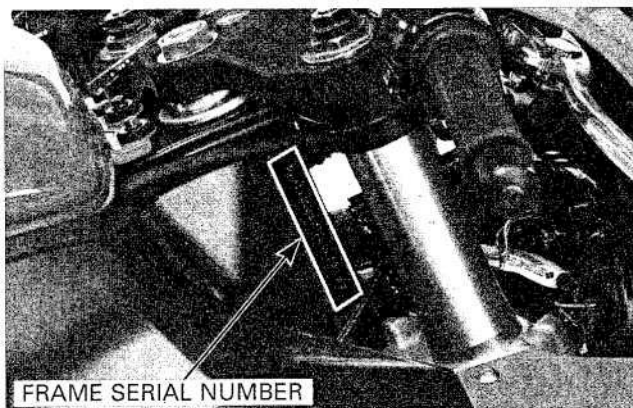


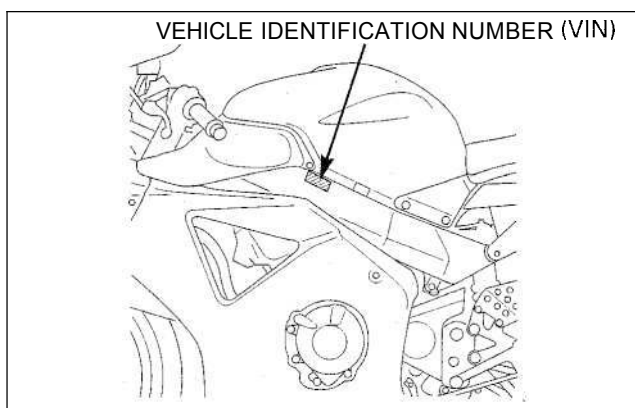
## GENERAL INFORMATION



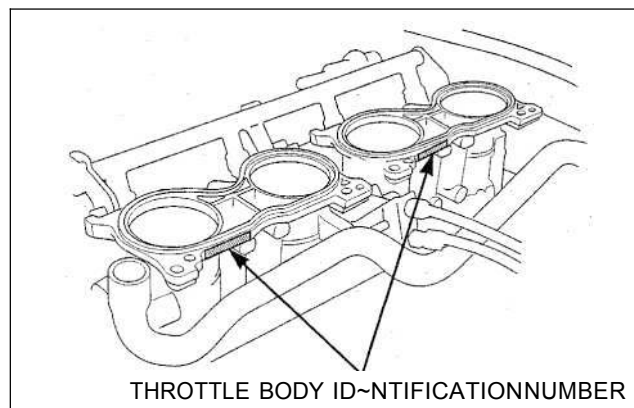
- (1) The frame serial number is stamped on the right side of the steering head.



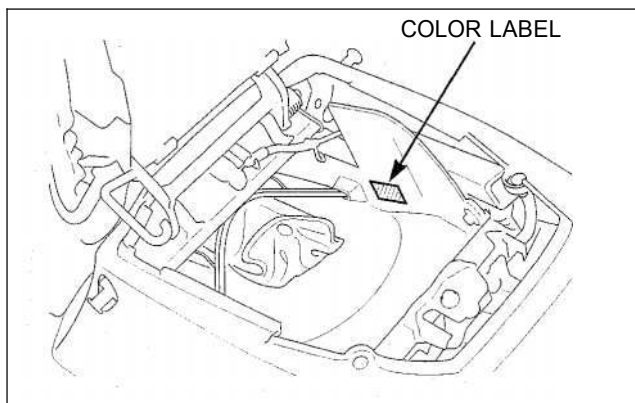
- (2) The engine serial number is stamped on the right side of the upper crankcase.



- (3) The Vehicle Identification Number (VIN) is located on left side of the main frame on the Safety Certification Labels.



- (4) The throttle body identification number is stamped on the intake side of the throttle body as shown.



- (5) The color label is attached as shown. When ordering color-coded parts, always specify the designated color code.