

Gear Backlash Check

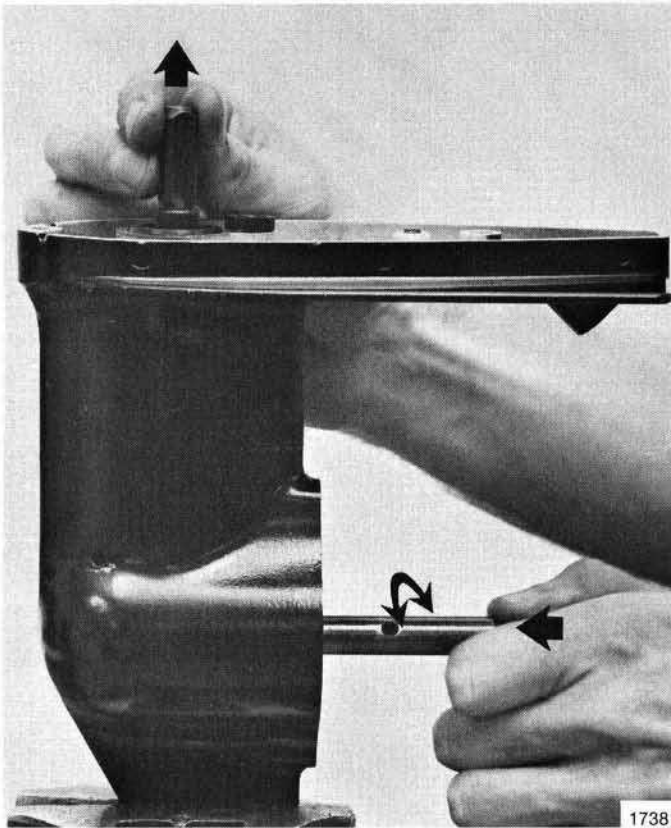
8. Pull up on drive shaft and hold so that it will not rotate.

While pushing in on propeller shaft, rotate propeller shaft back and forth. There should be play between the gears (a clicking sound should be heard as the shaft is rotated back and forth).

NOTE: The amount of play between the gears is not critical, but no play between the gears is unacceptable.

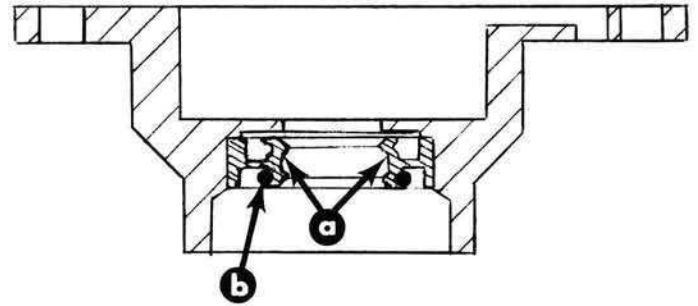
If there is no play between the gears, check that bearings are completely seated in housing. If bearings are seated properly, remove shim(s)* until play is obtained between gears.

*Shim Kit (15-95292) contains 3 shims (.002 in., .004 in. and .008 in.) [.05mm, .10mm and .20mm].



Assembling Water Pump Housing

9. Install new seal (a) into housing using a suitable mandrel (or socket) and driver rod.



a - Seal
b - Spring

NOTE: Press on numbered side of bearing.

10. Press bearing (a) into housing until bearing bottoms-out.

Install new O-ring (b).

Apply Quicksilver 2-4-C Multi-Lube on O-ring (b) and I.D. of seal (c).

